

Kubota
Automatic Vinegar Mixing Machine

Vinegar Mixing Robo

KS360N-CE



Sushi

Robot Craftsman

Easy to use!

Lightweight at 26kg

Compact & High Performance

"Can be used in a small space"



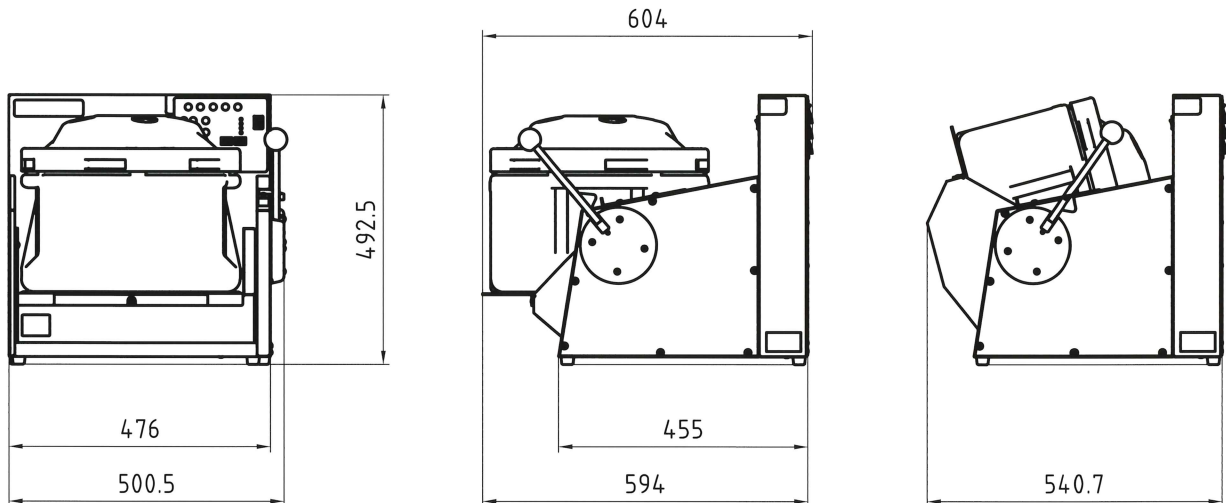
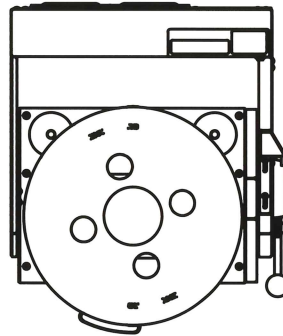
Specifications & Dimensions



Specifications

Model	Kubota Vinegar Mixing Robo (Automatic Vinegar Mixing Machine)
Type	KS360N-CE
Dimensions	Width500.5mm×Depth646mm×Height492.5mm
Weight	26kg
Capacity	3.6L/3min.
Electric power consumption	AC220~240V 50/60Hz (Power rating) 27W/27W

Dimensions



Kubota Corporation

Head Office: 2-47, Shikitsu Higashi 1-chome,
Naniwa-ku, Osaka
556-8601 Japan

For Inquiry: M.I.K Corporation

1-19-18 Uemine, Chuo-ku, Saitama City, Saitama Prefecture, 338-0014 Japan

URL: <https://www.mik-net.co.jp> Email: info@mik-net.co.jp

Head Office: 048-853-1171

Osaka Branch Office: 06-6150-6761

Tohoku Sales Office: 022-256-0351

Nagoya Sales Office: 052-398-5102

Fukuoka Sales Office: 092-674-2060

Sapporo Sales Office: 011-769-8521



Read the instruction manual carefully to use the product correctly and safely.
Make sure to check and maintain your agricultural machinery thoroughly.